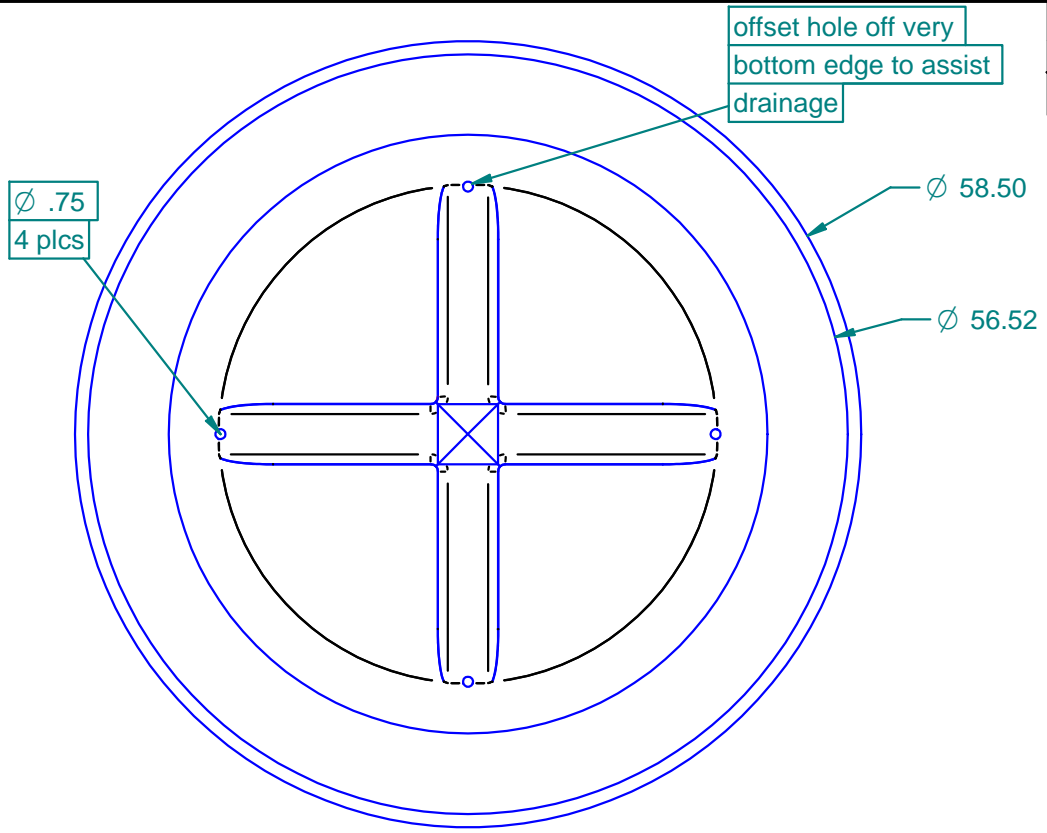
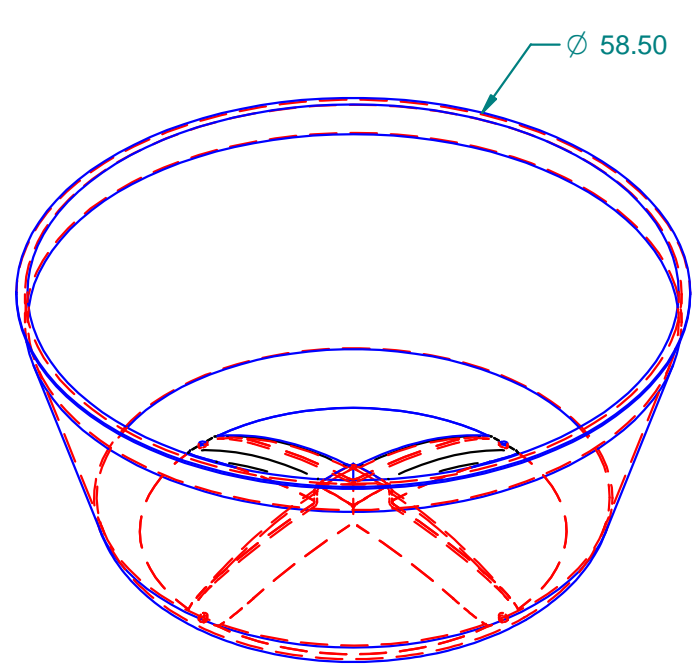


REVISION HISTORY

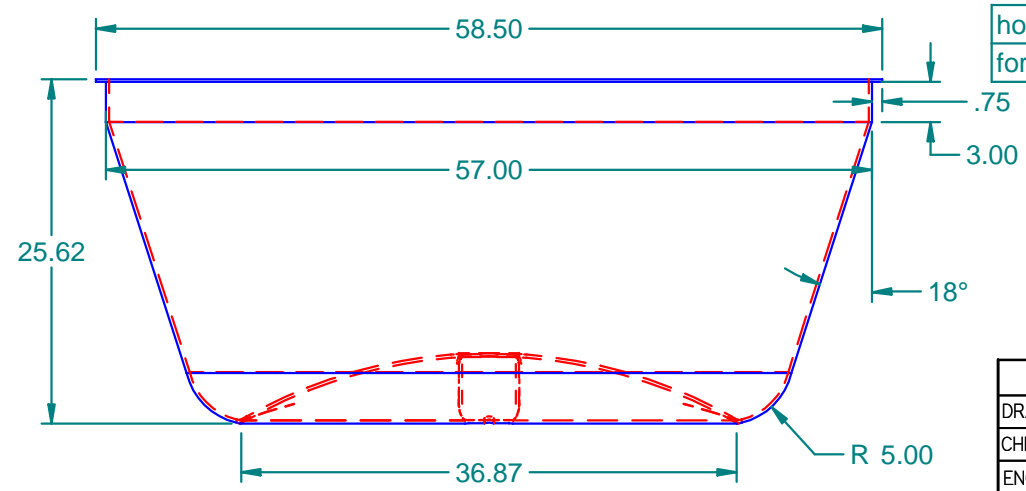
REV	DESCRIPTION	DATE	APPROVED



Top View



ISO View



Side View

wall thickness: 0.250"

Tank Capacity: 200 Gallons

	NAME	DATE
DRAWN	mputt	5/8/2006
CHECKED		
ENG APPR		
MGR APPR		



16160 Hwy 27 Lake Wales, FL 33859

TITLE		10 Box Citrus Tub	
SIZE	A	MATERIAL: LMDPE Black	REV
FILE NAME: Citrus Tub 840020.dft			
PART#: 840020	WEIGHT: 47.127 lbm	SHEET 1 OF 1	

UNLESS OTHERWISE SPECIFIED
DIMENSIONS ARE IN INCHES
ANGLES ±0.5°
2 PL ±0.125" 3 PL ±0.060"